

### 3.1 Standard accessories

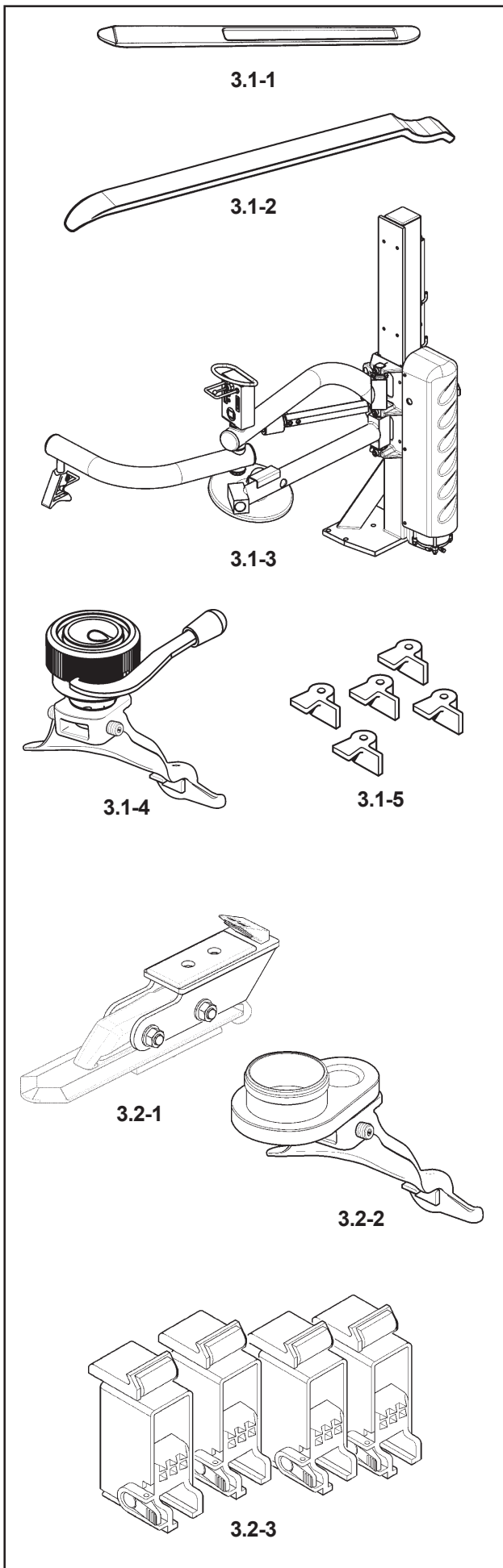
(Fig.3.1-1)  
**0001418 Bead lifting tool**

(Fig.3.1-2)  
**0025946 Tire lever WAVE**

(Fig.3.1-3)  
**4028843 Pneumatic mount / demount device easymont pro (extended version)**

(Fig.3.1-4)  
**4028228 Quick exchange tool Kit**

(Fig.3.1-5)  
**0011064 Insert for mounting head (5 pcs.)**

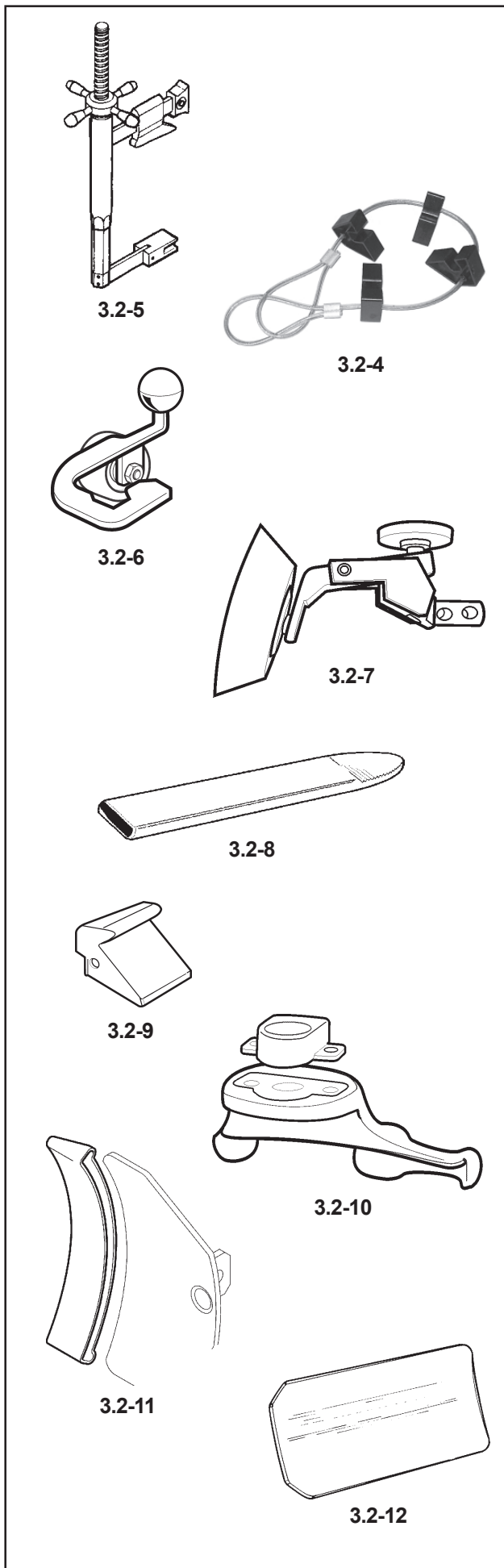


### 3.2 Accessories on request

(Fig. 3.2-1)  
**4028590 Sliding jaw +4 inch kit**  
 Extend the grip of the turntable clamps, so that you can work on rims with a diameter up to four inches bigger than the maximum allowed by your tyre changer. For use with the *Rapid change-over kit for tool with +4 inch extension* (code: 4028629).

(Fig. 3.2-2)  
**4028629 Rapid change-over kit for tool with +4" extension**  
 The standard tool can rapidly be substituted with the tool with extension, so that you can work on rims with a diameter up to four inches bigger than the maximum allowed by your tyre changer. For use with the *Sliding jaw +4 inch kit* (code: 4028590).

(Fig. 3.2-3)  
**4028570 Motorcycle adapters**  
 To be attached to the clamps of the turntable to clamp motorcycle rims from the outside.



(Fig. 3.2-4)

**4028648 MBP Magic Bead Pusher**

This accessory consists of a set of plastic inserts fixed so that they are equidistant on a towing cable. The inserts hold the bead down in the rim channel, guaranteeing easy bead insertion.

(Fig. 3.2-5)

**4024078 Bead depressor clamp**

Facilitates the mounting of the top bead especially on low profile and stiff tires.

(Fig. 3.2-6)

**4025966 Bead Pressing Roller**

This bead-depressing roller can be quickly installed on mounting head.

(Fig. 3.2-7)

**4027658 Demounting disk tool**

To break the tyre bead directly on the turntable.

(Fig. 3.2-8)

**0024180 Lever guard**

To avoid damaging the rim during the mounting phase.

(Fig. 3.2-9)

**0026853 Light alloy rim protector**

To be slid onto the clamps of the turntable to prevent any possible damage to the rim when operating on light alloy rims

(Fig. 3.2-10)

**4024784 Plastic mounting head**

Generally we recommend:- Plastic tool on alloy rims.

(Fig. 3.2-11)

**0026582 Bead Breaker Blade Protection**

Prevents damage to the rim during bead breaking.

(Fig. 3.2-12)

**4008755 Motorcycle bead breaker blade**

To be attached to the bead breaker blade to facilitate loosening of motorcycle tyres