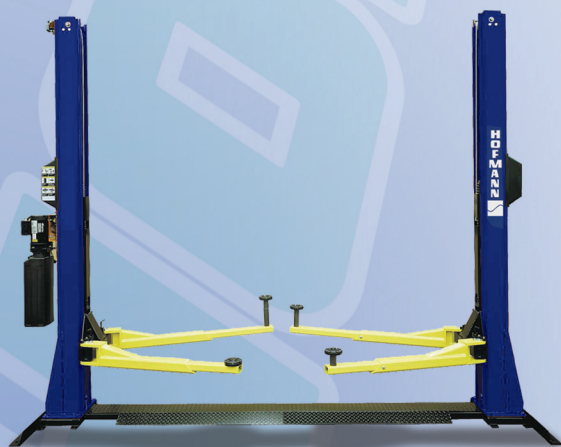
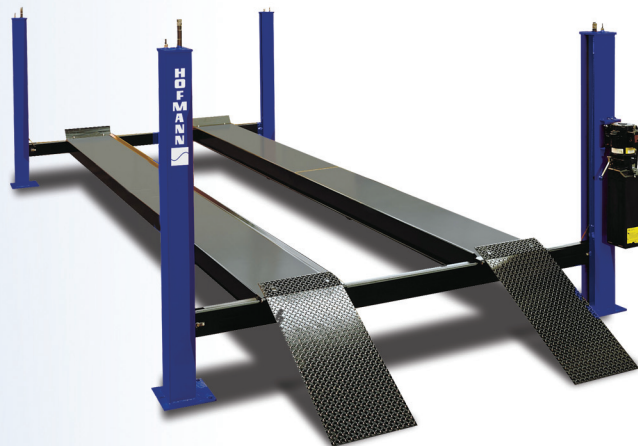
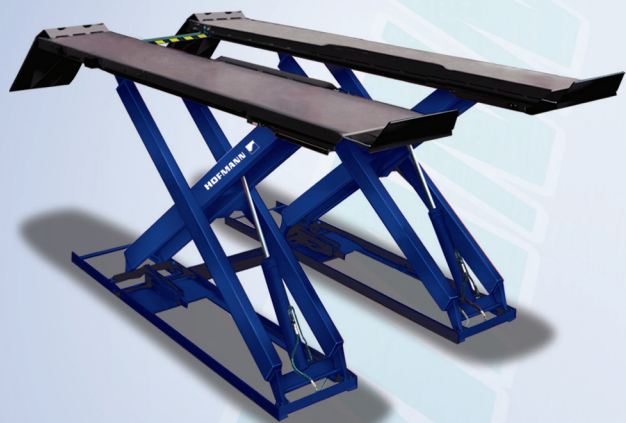


HOFMANN®



Specialty Lifts

General Purpose Automotive Lifts

COBRA DOUBLE SCISSOR LIFTS

KEY BENEFITS

- 9,000 lb. capacity
- Remote console operation
- Lifts straight up - no fore or aft movement
- Flush Mount installations allow for easy access for low profile vehicles
- Installs in less bay width than most in-ground and twin post lifts
- Open front and rear with no tie bars for maximum accessibility
- Hydraulically synchronized with auto leveling function
- Multiple positive mechanical safety locks with air actuated release
- Space saving, full rise, double scissor lift, stable, versatile, full service wheel free design
- Extendible platform pad - from 60" (1,530mm) deck length to 80" (2,030mm)
- Optional durable rubber blocks (4) for functional vehicle lifting. 230 V - 60 Hz - 1 Phase power required (Other electrical options available)



MID RISE LIFTS

KEY BENEFITS

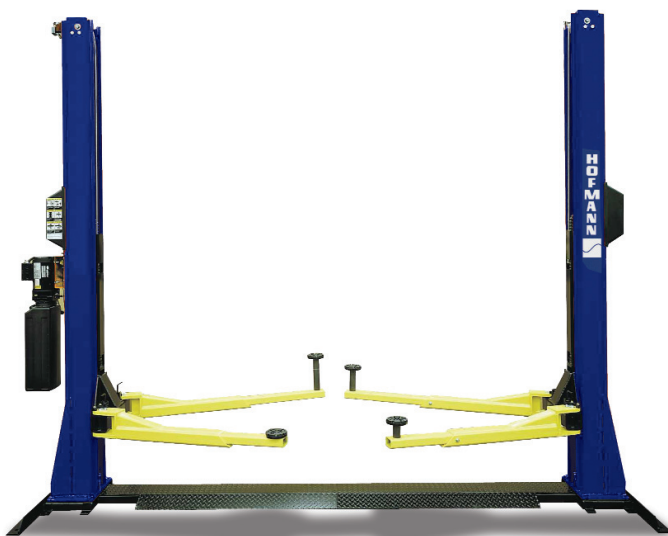
- Space saving heavy duty scissor lift, 6,500 lbs. capacity
- Frame contact with adjustable lifting arms & 360° three position flip-up pads
- Open design top allows easy setup as a pad lift or frame contact
- Made portable with rolling power pack cart
- Lifts straight up - no fore or aft movement
- Pad style with rubber lift blocks
- Compact drive-over height handles most cars & light trucks, less than 5"
- 48" lifting height as a pad lift, provides a comfortable working position
- Over 53" lifting height as a frame contact when raised on highest flipped up pad
- 5 position mechanical safety lock system & manual foot pedal lock release (no cables to wear out)
- Dual hydraulic cylinders provide better support and stability
- Optional Adapters, 033 truck adapters & 028 poly pad adapters
- MRA6040 uses an air operated power pack - 100 PSI (689 kPa) air outlet required



2-POST LIFTS

KEY BENEFITS

- 9,000 lb. symmetric style
- Ruggedly designed for 10' ceiling applications
- 10 vector angle roll-formed columns for more strength
- Extra heavy duty lifting chain with low profile floor-plate cable equalization
- Longer lifting carriage with ultra high molecular bearing blocks for smooth carriage operation
- Full contact spherically grooved greasable arm pin sleeves for longer life
- Nickel / zinc plated arm pins
- Cassette gear style arm restraints
- Single point air safety release with 16 position mechanical carriage locks
- Patented vibration dampening reinforcement system on lifting arms
- Versatile 3 piece stack pad lift system with convenient storage bracket on each column
- 230 V - 60 Hz - 1 Phase power required (Other electrical options available)



DLS9010

4-POST LIFTS



EFP12172

KEY BENEFITS

- Pre-positioned wide width runways do not require re-positioning of runways from car to truck services
- One piece roll formed decks for added strength and a uniform flat surface
- Hidden lifting cylinder under the deck improves accessibility and prevents door damage
- Larger pulleys & heavy pre-stressed steel cables allow for long life, reduced maintenance & added safety
- Optional air connection kits for air tools & roller jacks
- Triple back-up safety systems: mechanical locks on each column, auto engaging mechanical locks and hydraulic pressure safety valves
- Low profile lifts with full length approach ramps handle most low profile vehicles
- ALI / ETL certified

SCISSOR LIFTS

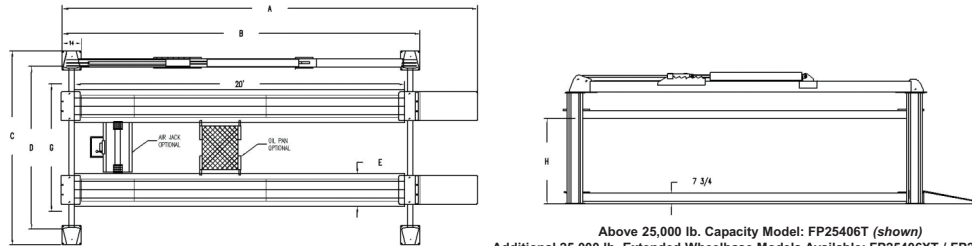
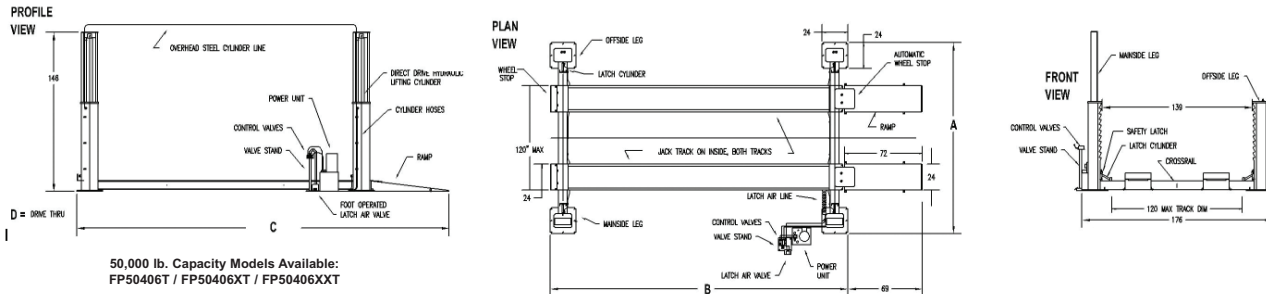
KEY BENEFITS

- Lifts straight up and down - no fore or aft movement
- Maximum space efficiency
- Five scissor lifts use same space as four 4-post lifts
- Built-in air connections for air tools and roller jacks
- Back-up safety systems: mechanical locks and hydraulic pressure safety valves
- Front and rear safety stops
- Long, gradually sloping drive-on ramps



BLF9172

HEAVY DUTY 4-POST LIFTS



KEY BENEFITS

- 24" wide adjustable runways
- Single point safety lock release
- Optional roller air jacks
- Heavy-duty construction using "I" Beam runways
- Over sized high tensile steel synchronized pulleys
- Overhead Lifting Cylinder (25K and 35K models)
- 50K lifting cylinder located in front and rear columns
- 230 V / 60 Hz / 1 Ph power required for 25K and 35K lifts
- 230 V / 60 Hz / 3 Ph power required for 50K lifts

Capacity	25,000 lbs.
Overall Length (A)	25' 2-1/2"
Overall Length (B)	21' 7-5/8"
Overall Width (C)	11' 9"
Distance Between Posts (D)	9' 10"
Width of Runway (E)	24"
Max. Runway Spread (G)	0-9"
Max. Wheel Base	240"
Height of Lift (H)	60"
Rate of Lift	130 sec.
Power Unit 220V / 60Hz / 1Ph	2 H.P.
Shipping Weight	6,000 lbs.

HEAVY DUTY SCISSOR TRUCK LIFTS



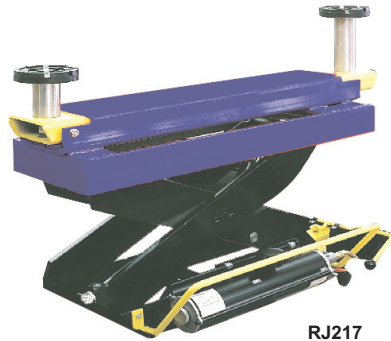
DSS22065

KEY BENEFITS

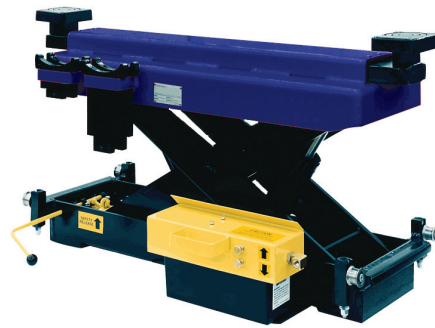
- T-Rex Models available DSS22065 (shown), DSS44065, DSS66065, DSS88065
- Lifts straight up with no fore or aft movement to optimize space and improve stability
- Wide open between runways with no cross-members or torsion bars
- Wide 32.3" coach-style runways for easy drive-on access
- Adjustable distance between the runways for customized installation
- Hydraulically synchronized operation
- Multiple mechanical safety locks with air actuated safety release mechanism
- Remote console operation
- Optional rolling jack beam track for expanded service potential with rolling air jacks
- Flush mounted installation standard - Surface mount optional
- 230 Volt - 60 Hz - 3 Phase power required (other electric options available)

ACCESSORIES

Hofmann Roller Jacks



RJ217



RJ207

KEY BENEFITS

- Hofmann's complete line of air/hydraulic rolling jacks are versatile, durable & optimize the profitability of any lift
- A low profile design eliminates the need to swing when lift is lowered
- A high lifting height enables more access for under-car repairs
- Interchangeable adapters make lifting fast for brake work and tire service on passenger cars, light trucks, and vans
- Easy to maintain and built to last
- Many models to choose from:

Model RJ145 & RJ207 Series - Rolling Air / Hydraulic Jack

Model RJ216, RJ216E & RJ217 - Rolling Air / Hydraulic Jack

Model RJWB-9 - Rolling Air / Hydraulic Jack

Model RJWT-12, RJWT-18, RJWT-25, and RJWT-35 - Heavy Duty Rolling Air Jacks



RJWT-35

Hofmann manufactures a complete line of wheel service equipment.



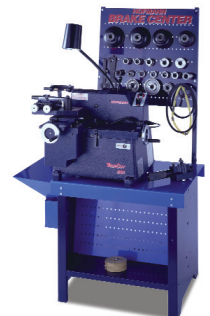
Imaging & Conventional Alignment Equipment



High Performance Wheel Balancer with All Automatic Data Entry



Tire Changer Designed to Service All Automotive Tires



Combination Brake Lathes for Rotors, Drums and Flywheels



SPECIFICATIONS

	Lifting Capacity	Deck Surface	Overall Width	Runway Width	Width Between Runways (or Columns)	Overall Length	Raised Height	Lowered Height	Shipping Weight	Lift Time	Power Req.	
4-Post Lifts												
EFF12172	12,000 lbs.	208"	132 1/2"	22"	40"	251 1/2"	70"	7"	2,850 lbs.	60 sec.	230V / 60Hz / 1Ph	
EFF12210	12,000 lbs.	246"	132 1/2"	22"	40"	289 1/2"	70"	7"	2,850 lbs.	60 sec.	230V / 60Hz / 1Ph	
FPF12172	12,000 lbs.	204"	137"	24"	36"	266"	71"	9 1/2"	3,750 lbs.	60 sec.	230V / 60Hz / 1Ph	
FPF18210	18,000 lbs.	242"	149 1/2"	24"	40"	303 1/2"	72"	9 1/2"	5,465 lbs.	64 sec.	230V / 60Hz / 1Ph	

4-Post Heavy Duty Lifts

FP25406T	25,000 lbs.	24"	11' 9 3/4"	24"	-	31' 1 5/8"	67"	8 1/2"	5,000 lbs.	130 sec.	220V / 60Hz / 1Ph
FP25406XT	25,000 lbs.	24"	11' 9 3/4"	24"	-	31' 1 5/8"	67"	8 1/2"	5,500 lbs.	130 sec.	220V / 60Hz / 1Ph
FP25406XXT	25,000 lbs.	24"	11' 9 3/4"	24"	-	31' 1 5/8"	67"	8 1/2"	5,900 lbs.	130 sec.	220V / 60Hz / 1Ph
FP35406T	35,000 lbs.	24"	11' 9 3/4"	24"	-	31' 1 5/8"	67"	8 1/2"	7,000 lbs.	130 sec.	220V / 60Hz / 1Ph
FP35406XT	35,000 lbs.	24"	11' 9 3/4"	24"	-	31' 1 5/8"	67"	8 1/2"	7,500 lbs.	130 sec.	220V / 60Hz / 1Ph
FP35406XXT	35,000 lbs.	24"	11' 9 3/4"	24"	-	31' 1 5/8"	67"	8 1/2"	8,000 lbs.	130 sec.	220V / 60Hz / 1Ph
FP50406T	50,000 lbs.	24"	14' 8"	24"	-	38' 7"	69"	9 3/4"	7,400 lbs.	100 sec.	460V / 60Hz / 3Ph
FP50406XT	50,000 lbs.	24"	14' 8"	24"	-	38' 7"	69"	9 3/4"	8,200 lbs.	100 sec.	460V / 60Hz / 3Ph
FP50406XXT	50,000 lbs.	24"	14' 8"	24"	-	38' 7"	69"	9 3/4"	9,000 lbs.	100 sec.	460V / 60Hz / 3Ph

Scissor Lifts

BLF9144	9,000 lbs.	-	84"	-	36"	226"	72"	8 3/4"	3,970 lbs.	60 sec.	230V / 60Hz / 1Ph
BLF9172	9,000 lbs.	-	84"	-	36"	256"	72"	8 3/4"	4,180 lbs.	60 sec.	230V / 60Hz / 1Ph
BLF12172	12,000 lbs.	-	92"	-	36"	256"	72"	8 3/4"	4,995 lbs.	60 sec.	230V / 60Hz / 1Ph

Double Scissor Lifts

DSF7090	9,000 lbs.	-	75 3/4"	21 1/2"	30 3/4"	60"	71 3/4"	0"	1,927 lbs.	45 sec.	230V / 60Hz / 1Ph
---------	------------	---	---------	---------	---------	-----	---------	----	------------	---------	-------------------

Heavy Duty Scissor Truck Lifts

DSS22065	22,000 lbs.	-	96 1/2"	-	-	307"	65"	-	6,600 lbs.	60 sec.	220/440V / 60Hz / 3Ph
DSS44065	44,000 lbs.	-	96 1/2"	-	-	374"	65"	-	12,100 lbs.	60 sec.	220/440V / 60Hz / 3Ph
DSS66065	66,000 lbs.	-	96 1/2"	-	-	493"	65"	-	19,800 lbs.	60 sec.	220/440V / 60Hz / 3Ph

Mid Rise Lifts

MRE6040	6,000 lbs.	-	38"	-	-	75 1/2"	39 1/2"	5"	950 lbs.	30 sec.	115V / 60Hz / 1Ph
MRA6040	6,000 lbs.	-	38"	-	-	75 1/2"	39 1/2"	5"	950 lbs.	30 sec.	115V / 60Hz / 1Ph

2-Post Lifts

DLS9010	9,000 lbs.	-	151 3/4"	-	118 1/2"	-	78"	-	1,500 lbs.	45 sec.	230V / 60Hz / 1Ph
---------	------------	---	----------	---	----------	---	-----	---	------------	---------	-------------------

Roller Jacks

RJ145	4,500 lbs.	-	-	-	36"	-	13 5/8"	2 5/16"	310 lbs.	-	100 PSI
RJ216	6,000 lbs.	-	-	-	36"	-	13"	2 3/8"	350 lbs.	-	100 PSI
RJ216E	6,000 lbs.	-	-	-	40"	-	13"	3 3/8"	350 lbs.	-	100 PSI
RJ217	7,000 lbs.	-	-	-	38"	-	13"	2 3/8"	350 lbs.	-	100 PSI
RJ207	7,000 lbs.	-	-	-	36"	-	14 1/8"	2 3/8"	360 lbs.	-	100 PSI
RJWT9	9,000 lbs.	-	-	-	40"	-	20 1/2"	4 1/2"	380 lbs.	-	100 PSI
RJWT12(4P*)	12,000 lbs.	-	-	-	47"	-	20 1/2"	6"	500 lbs.	-	100 PSI
RJWT18(4P*)	18,000 lbs.	-	-	-	47"	-	20 1/2"	6"	800 lbs.	-	100 PSI
RJWT25(4P*)	25,000 lbs.	-	-	-	47"	-	20 1/2"	6"	1,100 lbs.	-	100 PSI
RJWT35(4P*)	35,000 lbs.	-	-	-	47"	-	20 1/2"	6"	1,400 lbs.	-	100 PSI

*Rolling Jack Beams listed above ending with "P" are specific to fit the Heavy Duty 25K / 35K / 50K Four Post Lifts



309 Exchange Avenue • Conway, AR 72032
 (800) 251-4500 • (501) 450-1581
 Fax (501) 450-2085 • www.hofmann-usa.com



6500 Millcreek Drive • Mississauga, ONT L5N 4G4
 (800) 267-2185 • (866) 812-5316
 Fax (905) 821-2073 • www.hofmann.ca
 E-mail: info@hofmann.ca